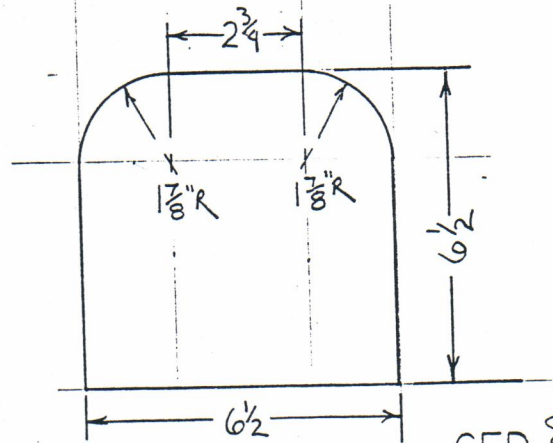
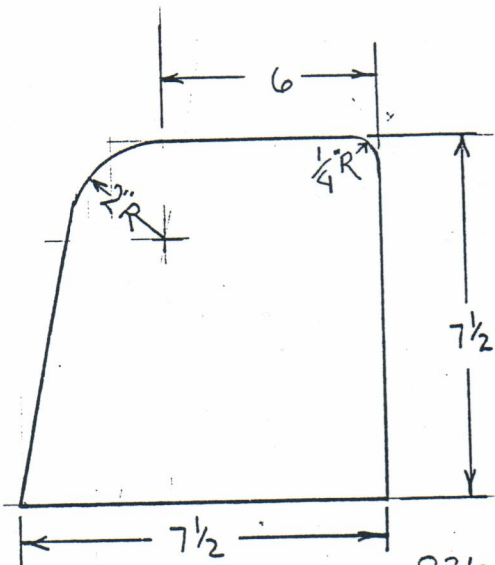


AUGER 8" ϵ CFD 834
AREA IN.² 139

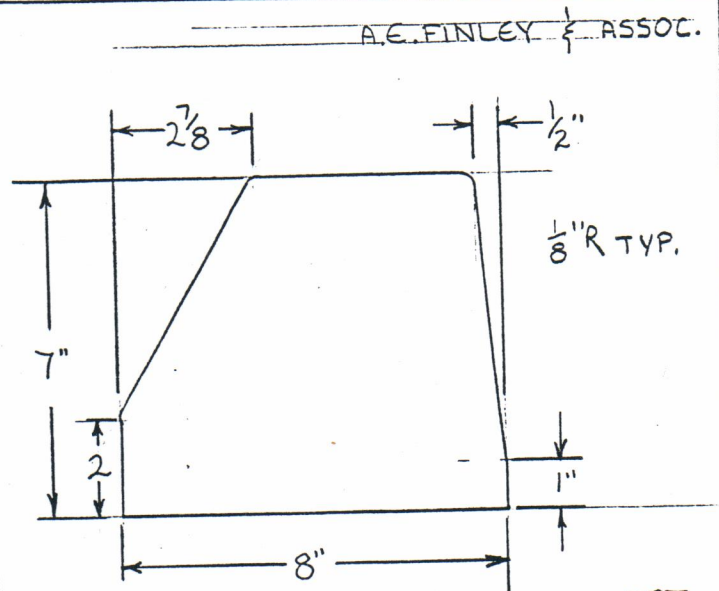


AUGER 6" CFD 835
AREA IN.² 41

TRUMBULL TAVING

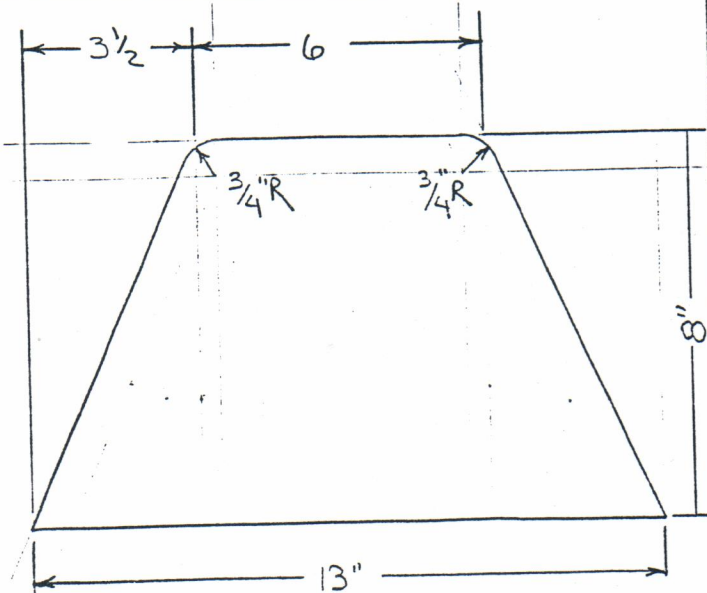


AUGER 6" CFD 836
AREA IN.² 52 1/2

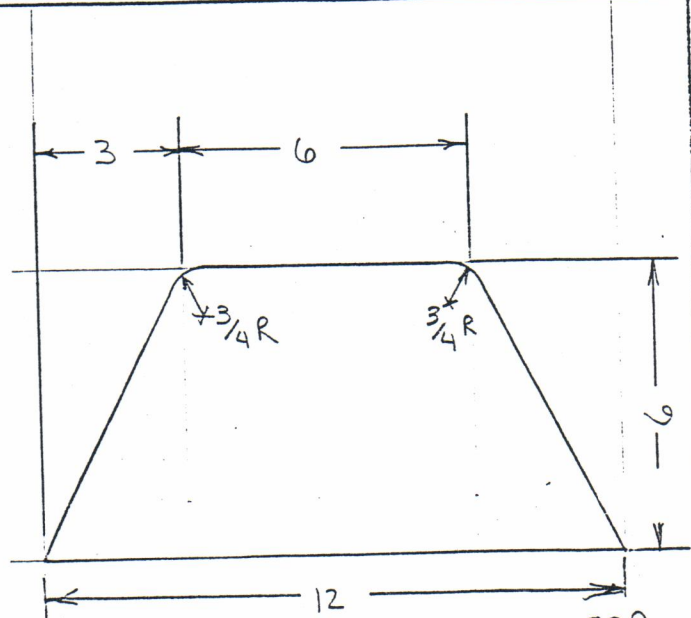


AUGER 6" CFD 837
AREA IN.² 47

A.E. FINLEY & ASSOC.



AUGER 8 CFD 838
AREA IN.² 76



AUGER 6" CFD 839
AREA IN.² 54