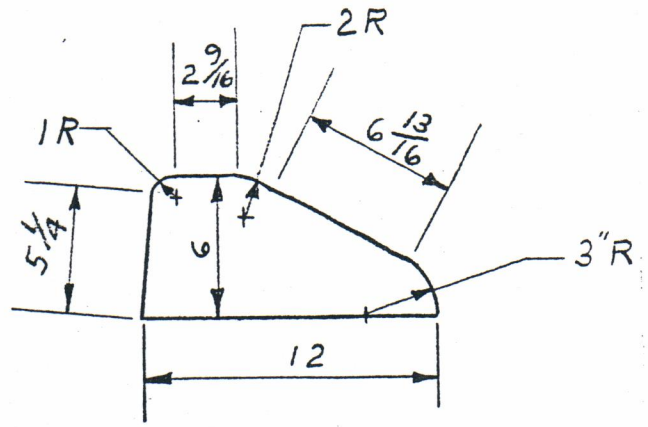


CFD-648

MARK HORNSBY

11-9-82

AUGUR 6" AREA IN² 30

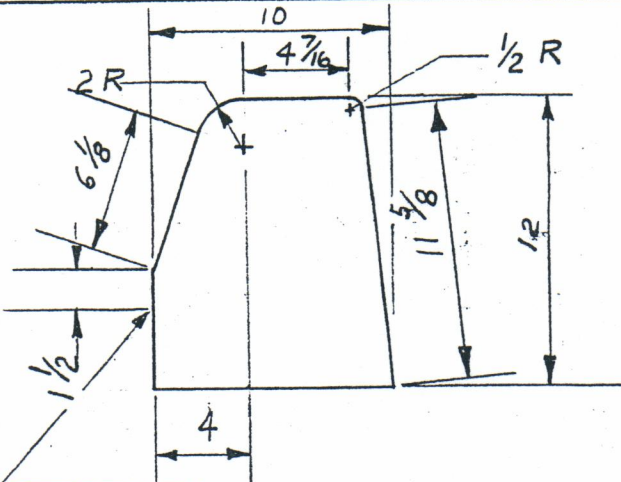


CFD-649

A.E. FINLEY

11-18-82

AUGER 6" AREA IN² = 53



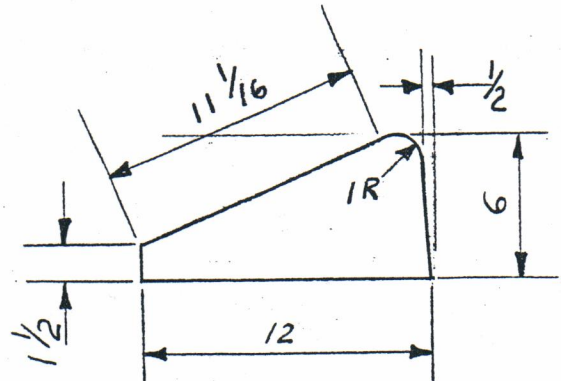
CFD-650

CURB FORM
END STOPS
HERE.

LOOPER EQUIP CO.

12-8-82

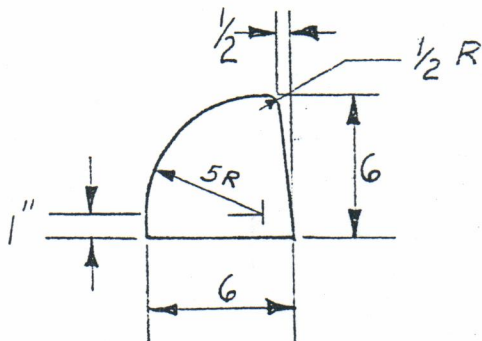
AUGUR 8" AREA IN² 94



CFD-651

GAEDCKE EQUIP.

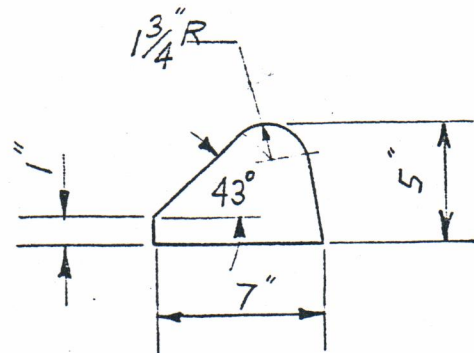
AUGER AREA IN² 43



CFD-652

GAEDCKE EQUIP.

AUGUR AREA IN² 30



CFD-653

TRI COUNTY

AUGER AREA IN² 25