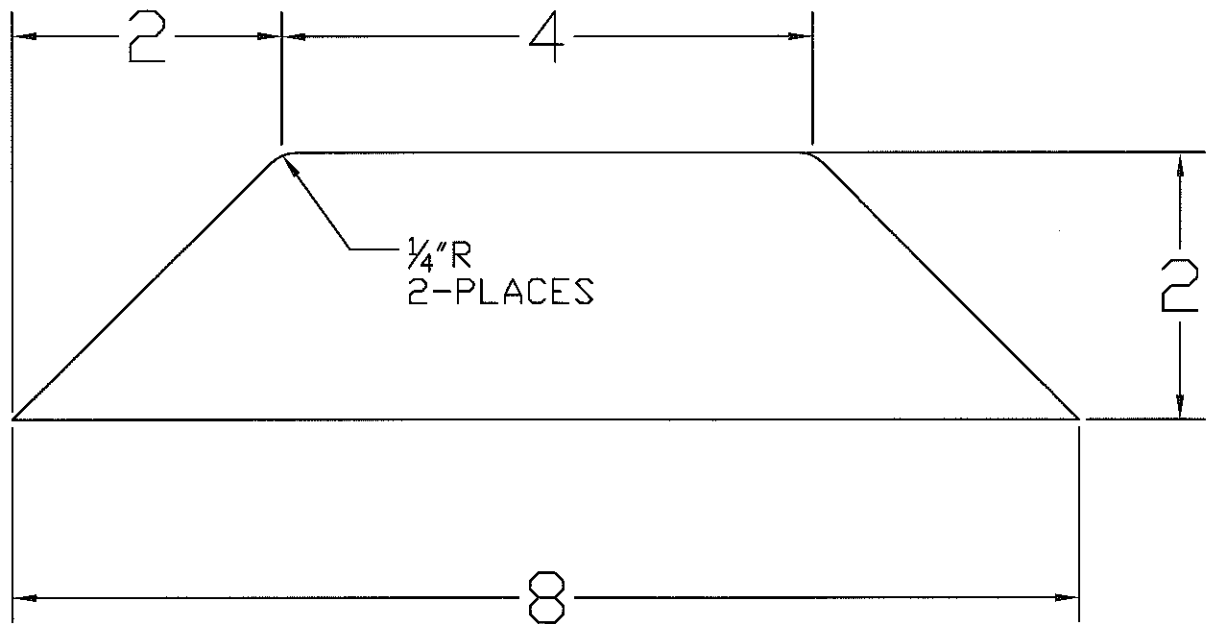


CUSTOMER
NAME

CFD-NO: 1959

AUGER SIZE 6"

CROSS-SECTIONAL AREA: 12 SQ.IN.



THIS FORM DESIGN IS OUTSIDE OF MILLER CURBER'S RECOMMENDED WORKING RANGE. CUSTOMER ASSUMES RESPONSIBILITY FOR PERFORMANCE AND MAKING THE FORM WORK TO THEIR SATISFACTION. USE OF THIS FORM MAY CAUSE EXCESSIVE WEAR AND/OR MACHINE DAMAGE.