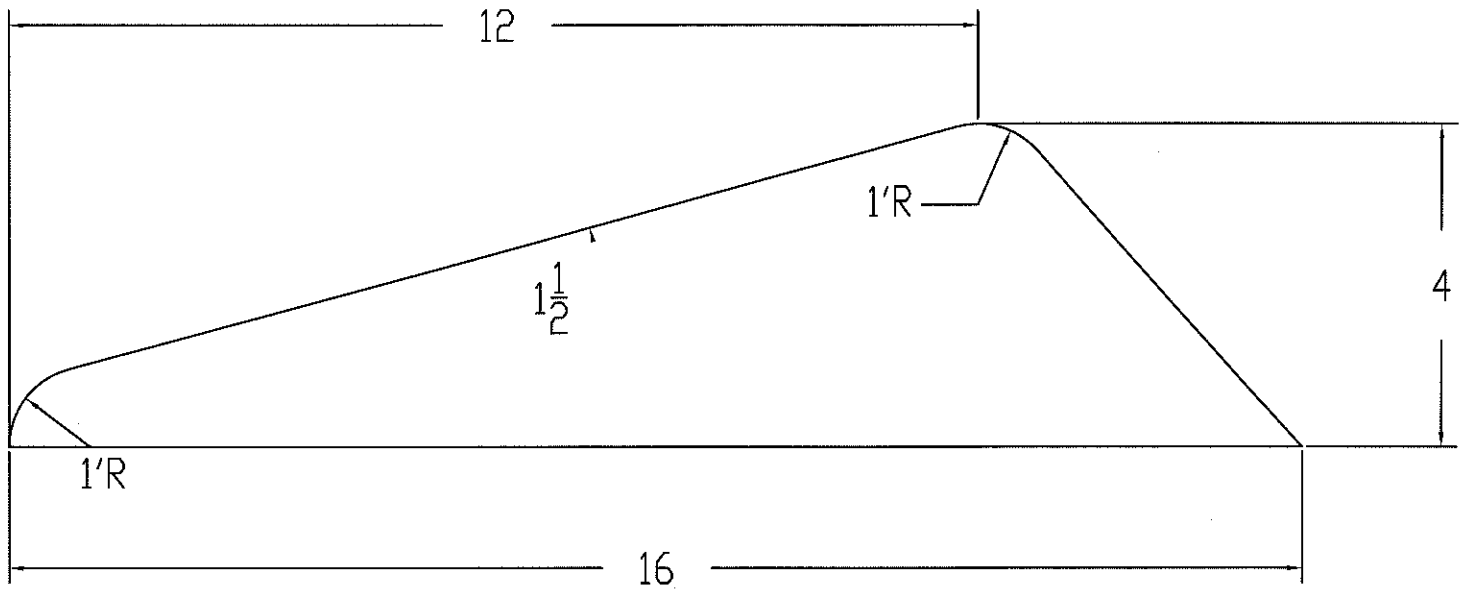


CUSTOMER
NAME

CFD-NO: 1829

AUGER SIZE 6"

CROSS-SECTIONAL AREA: 37.6 SQ.IN.



THIS FORM EXCEEDS MILLER CURBER'S RECOMMEND
WORKING RANGE. CUSTOMER ASSUMES RESPONSIBILITY
FOR PROFORMANCE AND MAKING THE FORM WORK TO
TO THEIR SATISFACTION.