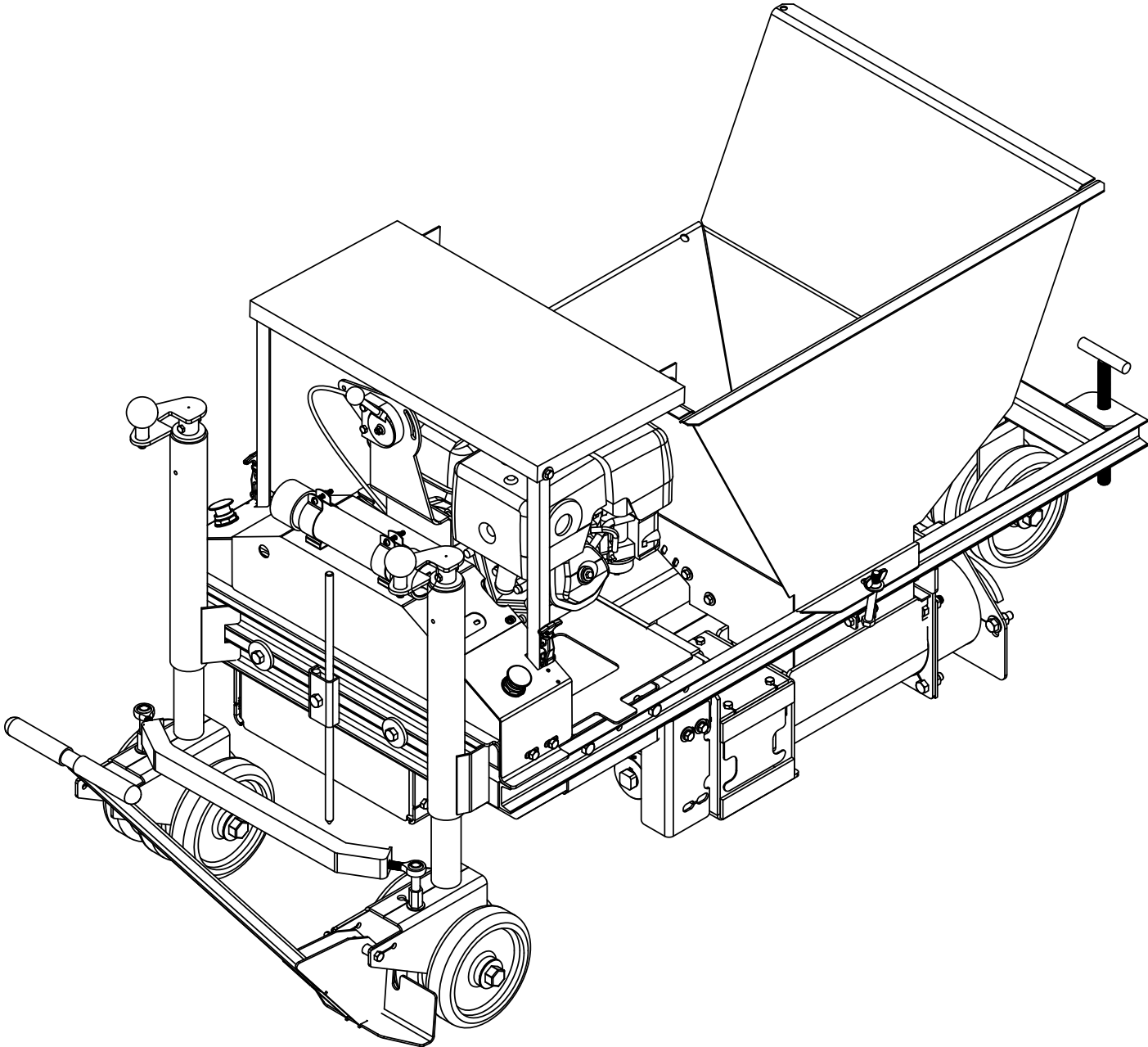
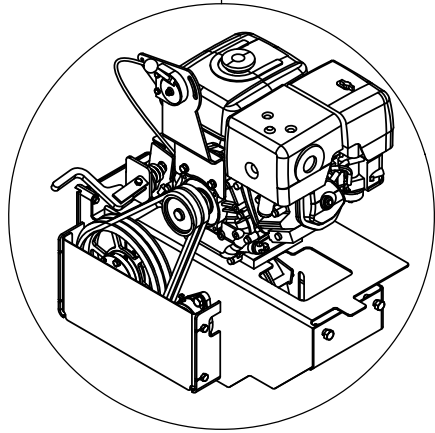


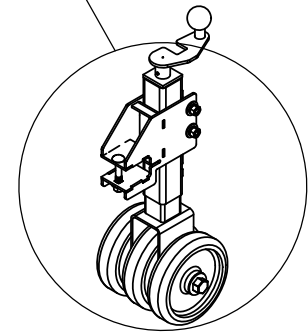
M05-13HR-550-06SS



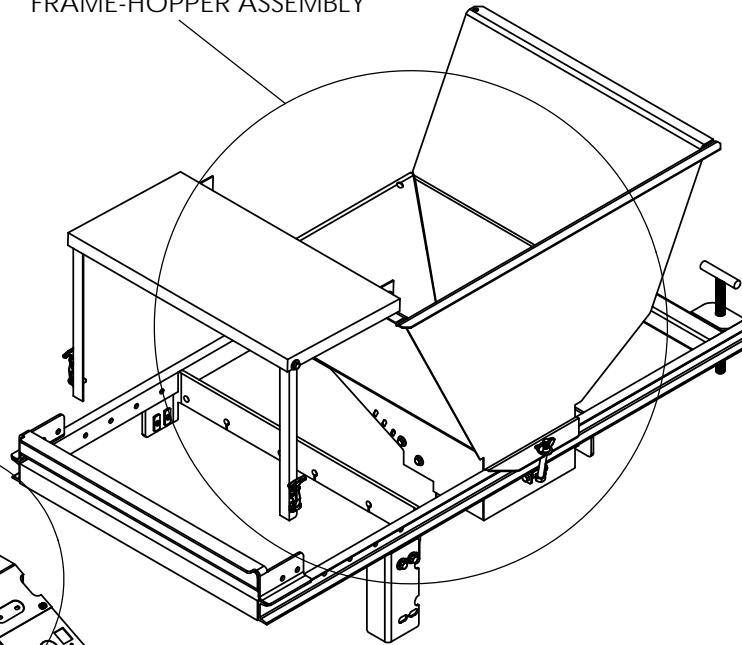
ENGINE-TRANSMISSION ASSEMBLY



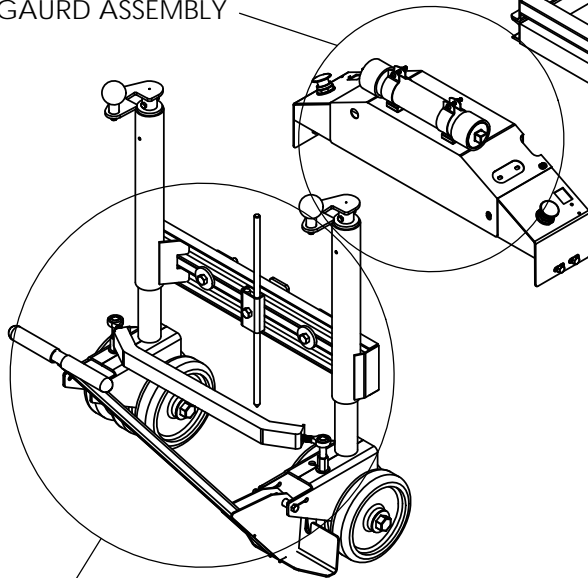
REAR WHEEL ASSEMBLY



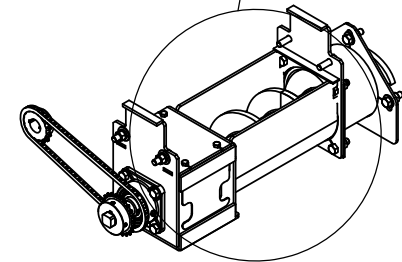
FRAME-HOPPER ASSEMBLY



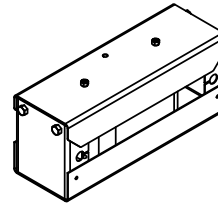
BELT GAURD ASSEMBLY



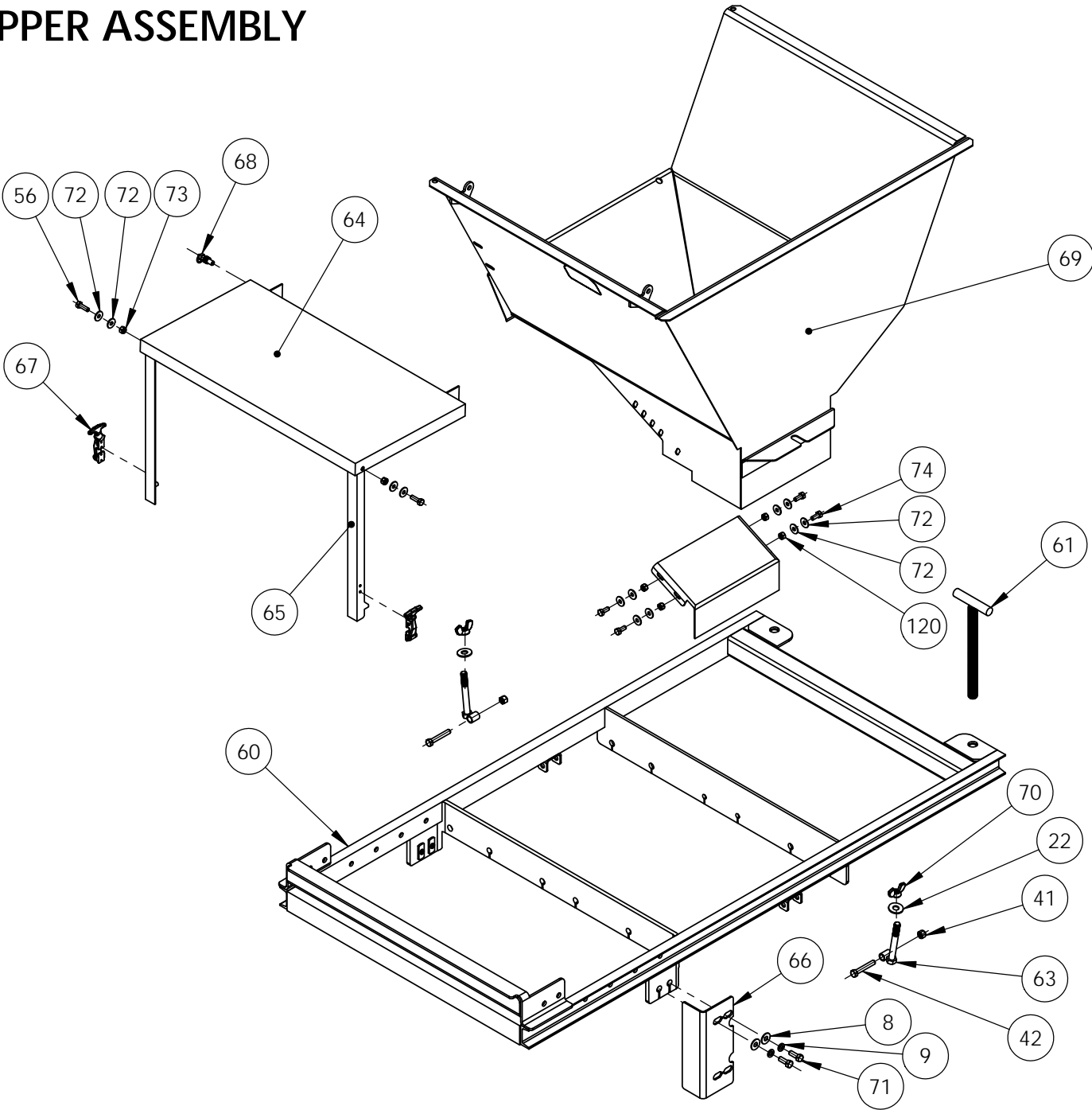
AUGER ASSEMBLY



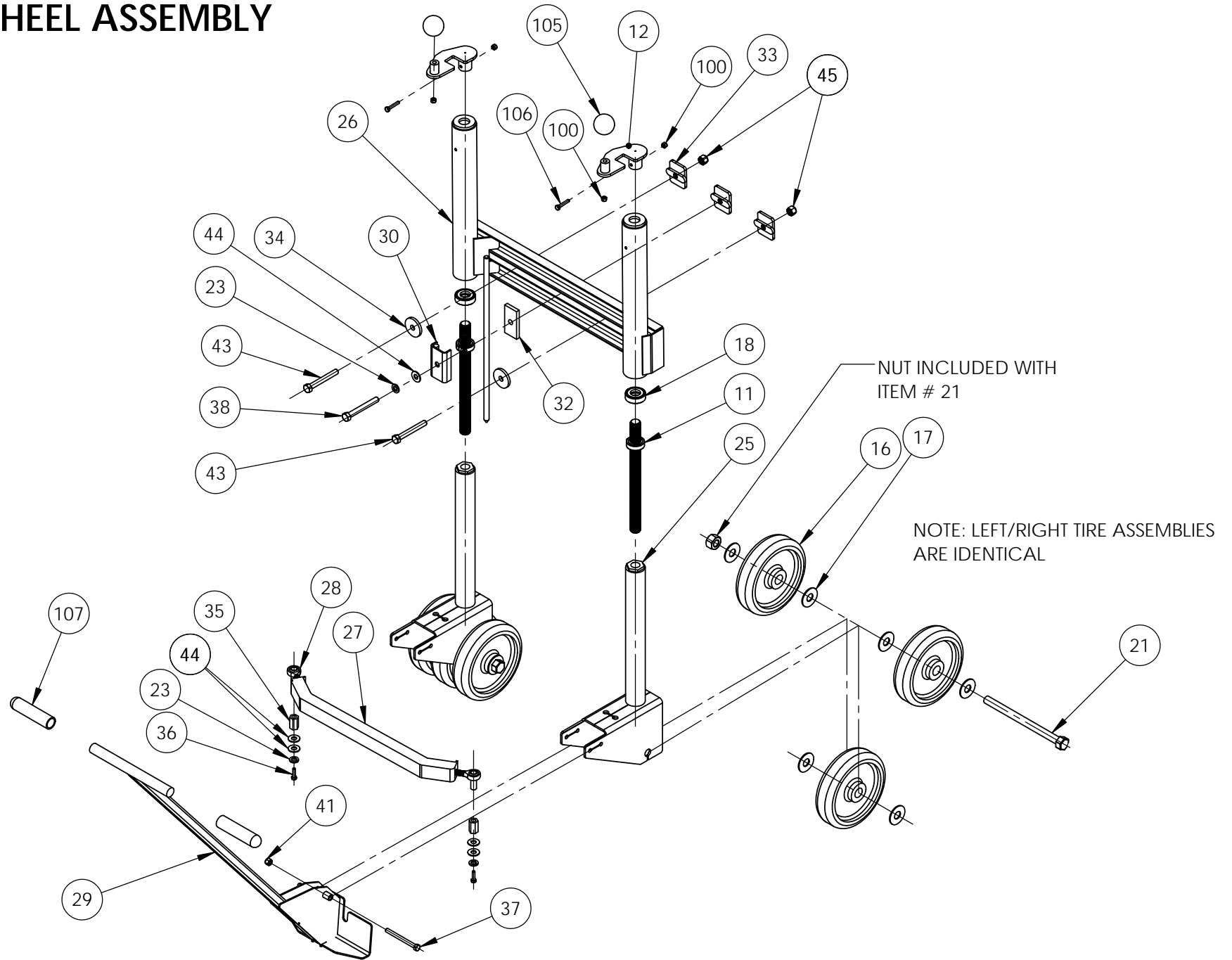
FRONT WHEEL ASSEMBLY



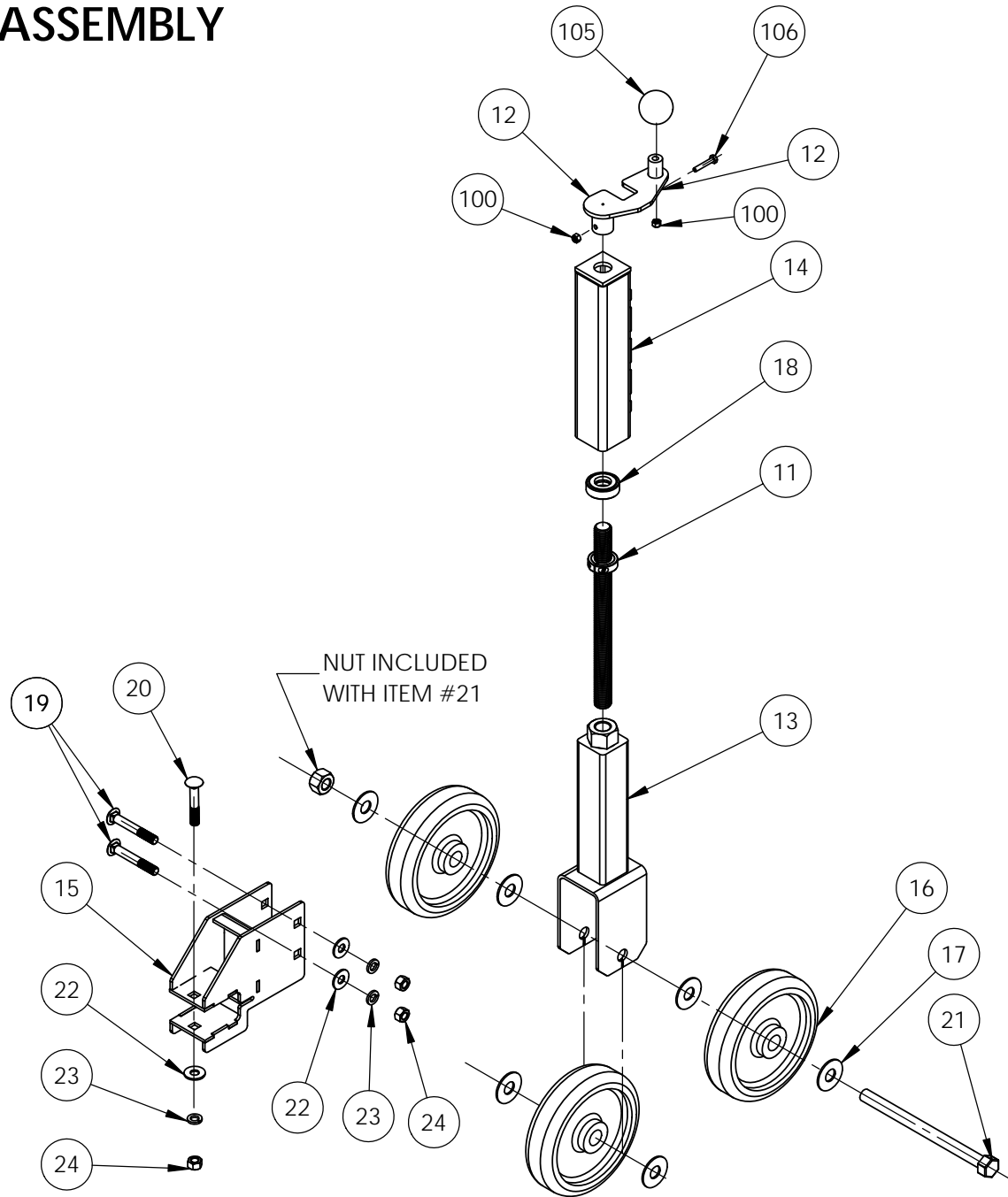
FRAME-HOPPER ASSEMBLY



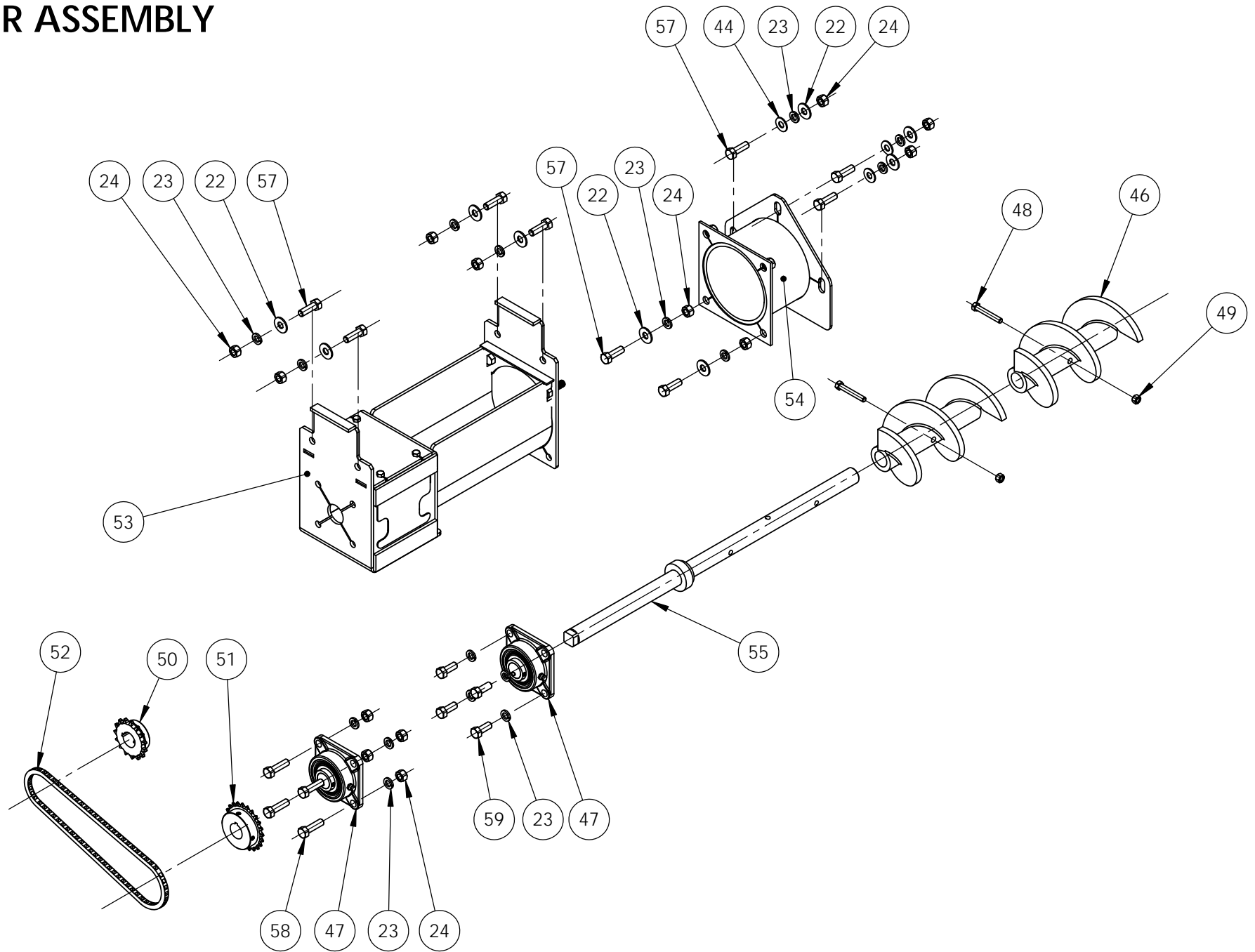
FRONT WHEEL ASSEMBLY



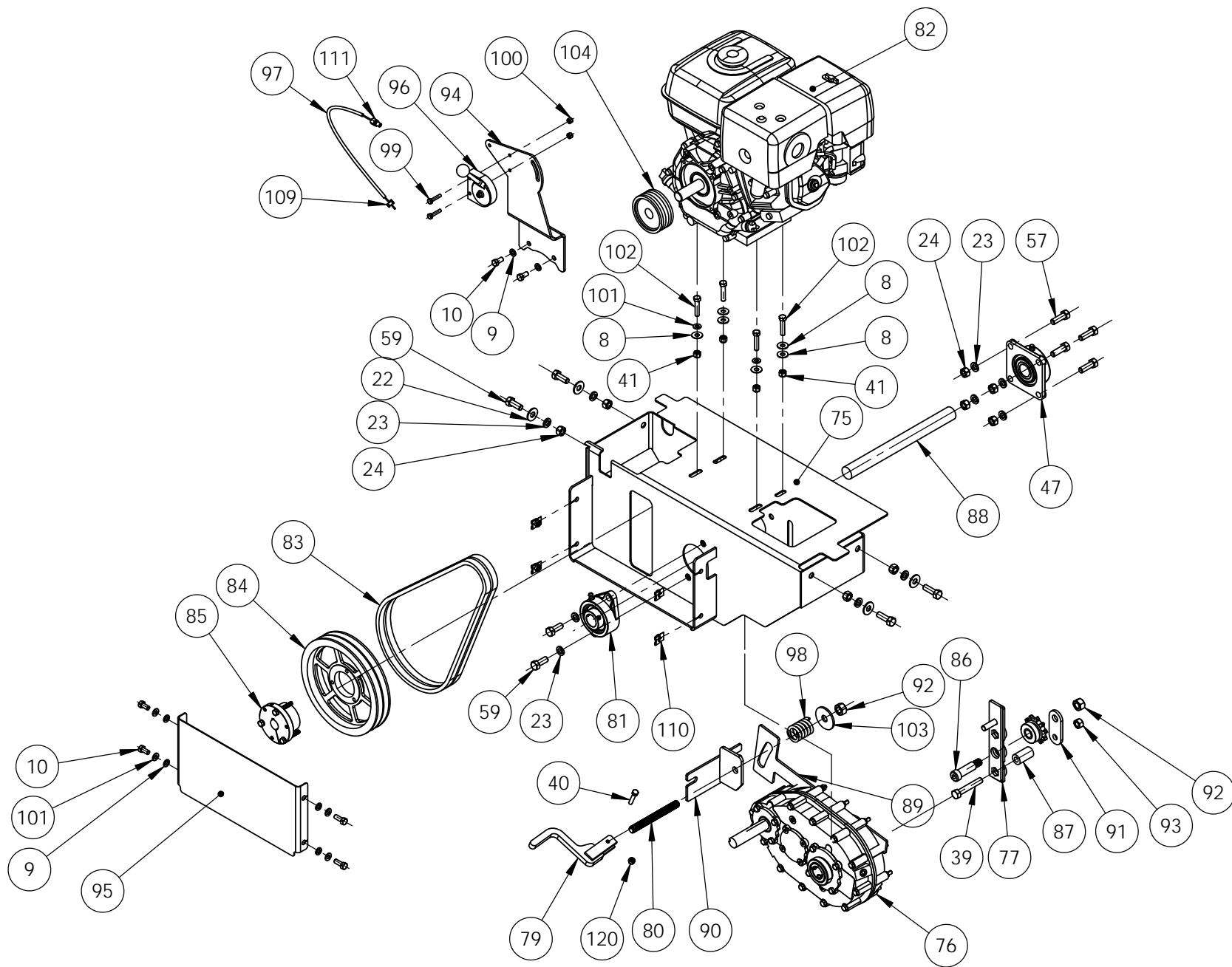
REAR WHEEL ASSEMBLY



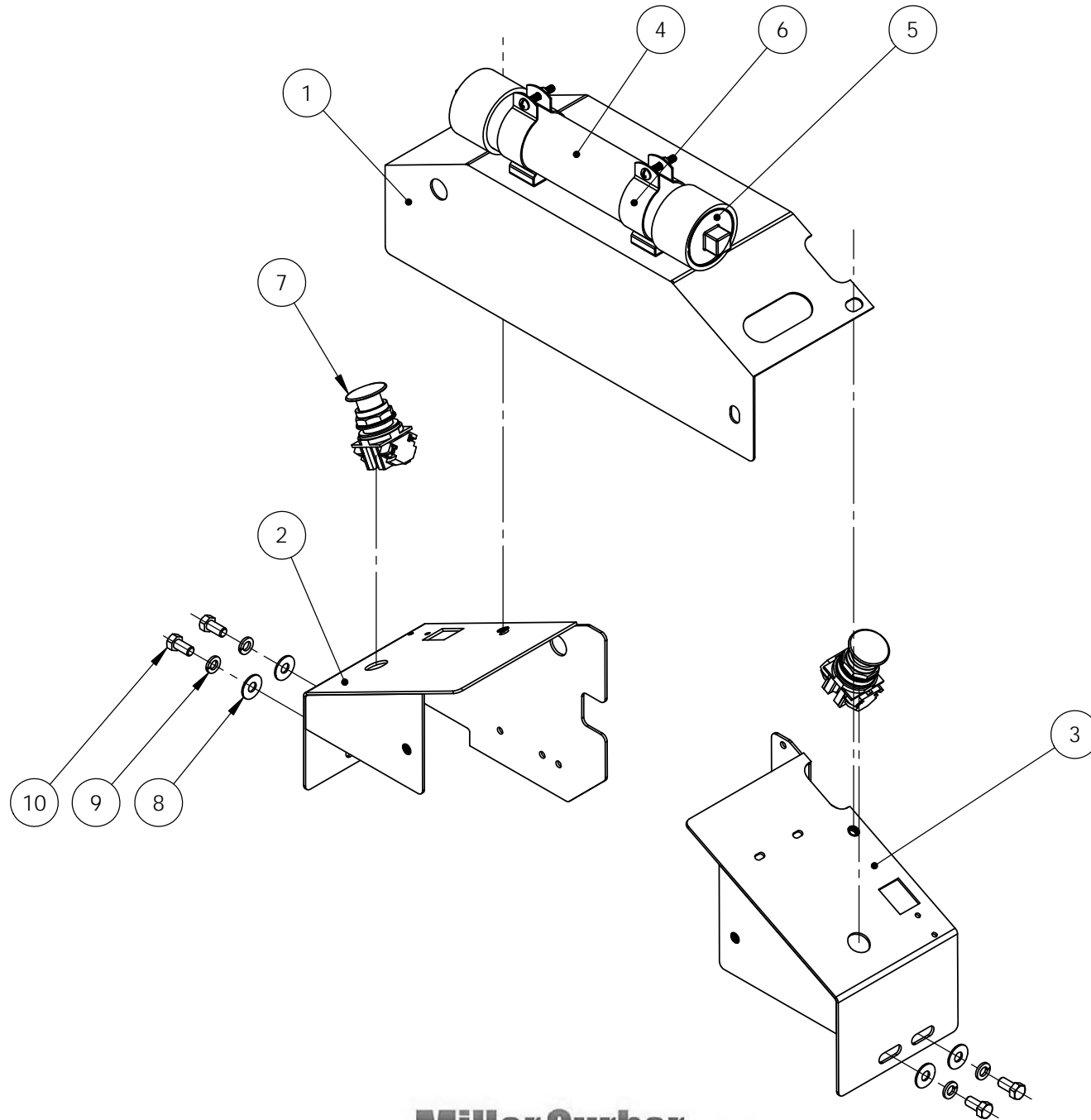
AUGER ASSEMBLY



DRIVE-TRANSMISSION ASSEMBLY



BELT GUARD ASSEMBLY



ITEM NO.	PART NUMBER	DESCRIPTION
1	45019-29	CENTER BELT GUARD COVER
2	45019-18	RIGHT HAND BELT GUARD WELDMENT
3	45019-19	LEFT HAND BELT GUARD WELDMENT
4	44108-01	MANUAL TUBE
5	44108-05	MANUAL TUBE CAP
6	44108-07	MANUAL TUBE MOUNTING CLAMPS
7	45049-25	EMERGENCY STOP SWITCH, RECOIL START
8		USS FLAT WASHER, 3/8"
9		LOCK WASHER, 3/8"
10		HHCS, 3/8-16 UNC x 3/4" LG.
11	45034-15	SHORT ADJUSTING SCREW WELDMENT
12	45036-11	JACK HANDLE ASSEMBLY
13	45039	REAR WHEEL FORK, SHORT
14	45034-03	REAR JACK COVER WELDMENT
15	45033-01	REAR JACK CLAMP BRACKET, SQUARE TUBE
16	WT0100	8" x 2" RUBBER WHEEL W/ ROLLER BEARING
17		USS FLAT WASHER, 3/4"
18		JACK ASSEMBLY THRUST BEARING
19	47132-24	CARRIAGE BOLT, 1/2-13 UNC x 3-1/2" LG.

ITEM NO.	PART NUMBER	DESCRIPTION
20	47139-37	CARRIAGE BOLT, 1/2-13 UNC x 3" LG.
21	45094-04	AXEL, 3/4-10NC x 10" LG W/ LOCKNUTS
22		USS FLAT WASHER, 1/2"
23		LOCK WASHER, 1/2"
24		HEX NUT, 1/2-13 UNC
25	45038-01	MC-550/650 FRONT WHEEL FORK
26	45005-02	FRONT JACK HOUSING
27	45059-08	TIE ROD
28	45059-04	MALE TIE ROD END W/ STUD
29	45020-13	STEERING HANDLE
30	45031-18	MARKER HOLDER ROD BRACKET
31	45031-11	MC-550/650/850 MARKER POINTER
32	45031-17	CURBER MARKING ROD BACKPLATE
33	45031-21	FRONT END CLAMP RETAINING NUT
34	45140-31	FRONT END CLAMP WASHER
35	45059-11	COUPLING NUT, 1/2-20 UNF x 1-1/4" LG.
36	45059-12	HHCS, 1/2-20 UNF x 1" LG.
37		HHCS, 3/8-16 UNC x 4" LG.
38		HHCS, 1/2-13 UNC x 4" LG.

NOTE:
WHEN ORDERING FASTENERS, PLEASE USE
PAGE REFERENCE (LOWER RIGHT HAND
CORNER) AND ITEM NUMBER.



ITEM NO.	PART NUMBER	DESCRIPTION
39		HHCS, 1/2-13 UNC x 3" LG.
40		HHCS, 5/16-18 UNC x 1-1/2" LG.
41		LOCK NUT, 3/8-16 UNC
42		HHCS 3/8-16 UNC x 2-1/4" LG.
43		HHCS, 1/2-13 UNC x 3-3/4" LG.
44		SAE FLAT WASHER, 1/2"
45		LOCK NUT, 1/2-13 UNC
46	45018-09	6" SOLID AUGER, 9" LONG
47	BE0200	1-1/4" 4-BOLT FLANGE BEARING
48		HHCS, 3/8-16 UNC x 2-1/2" LG.
49		HEX NUT, 3/8-16 UNC
50	SK0200	15 TOOTH SPROCKET
51	SK0300	23 TOOTH SPROCKET
52	45050-10	ROLLER CHAIN, 37" LONG
53	45010-01	6" STANDARD AUGER HOUSING
54	45014-01	6" COMPACTION TUBE
55	45023-01	SOLID AUGER SHAFT
56		HHCS, 5/16-18 UNC x 1" LG.
57		HHCS, 1/2-13 UNC x 1-1/2" LG.

ITEM NO.	PART NUMBER	DESCRIPTION
58		HHCS, 1/2-13 UNC x 1-3/4" LG.
59		HHCS, 1/2-13 UNC x 1-1/4" LG.
60	45045-01	CURBER FRAME WELDMENT 550/650
61	45003-11	CURBFORM HOLD DOWN SCREW
62	45013-09	HOPPER ADJUSTING PLATE
63	45012-13	HOPPER CLAMP
64	45145-01	ENGINE COVER
65	45145-10	ENGINE COVER BRACE
66	45050-18	CHAIN GAURD
67	MS0200	RUBBER HOOD LATCH
68	45145-17	RETRACTABLE PLUNGER
69	45015-01	WHEELBARROW HOPPER, LH
70		WING NUT, 1/2-13 UNC
71		HHCS, 3/8-16 x 1" LG.
72		SAE FLAT WASHER, 5/16"
73		NYLOK LOCK NUT, 5/16-18 UNC
74		HHCS, 5/16-18 UNC x 3/4" LG.
75	45008-01	CURBILDER MOTOR MOUNT
76	45050-05	GEAR REDUCER

NOTE:
WHEN ORDERING FASTENERS, PLEASE USE
PAGE REFERENCE (LOWER RIGHT HAND
CORNER) AND ITEM NUMBER.



ITEM NO.	PART NUMBER	DESCRIPTION
77	45016-17	IDLER BRACKET WELDMENT
78	45016-10	IDLER SPROCKET W/ BUSHING
79	45024-09	SAFETY TORQUE ARM HANDLE
80	45024-14	SAFETY TORQUE ARM STUD
81	BE0100	1-1/4" 2-BOLT FLANGE BEARING
82	EN0600	13 HP HONDA, RECOIL START
83	45050-23	COG "V" BELT
84	45050-02	2 GROOVE Q.D. SHEAVE
85	45050-03	Q.D. BUSHING FOR 4050-02
86	45016-22	SHOULDER BOLT, 3/4-10 UNC x 2" LG.
87	45016-21	IDLER BRACKET TUBE
88	45050-16	OUTPUT SHAFT
89	45024-03	SAFETY TORQUE ARM
90	45024-04	SAFETY TORQUE ARM BRACKET
91	45016-18	IDLER BRACKET RETAINING PLATE
92		HEX NUT, 5/8-11 UNC
93		HEX NUT, 1/2-13 UNC
94	45130-23	13HP HONDA THROTTLE MOUNTING BRACKET
95	45008-10	SHEAVE GAURD

ITEM NO.	PART NUMBER	DESCRIPTION
96	45132-43	THROTTLE CONTROL
97	45130-34	13 HP HONDA THROTTLE CABLE ASSEMBLY
98	45024-02	TORQUE ARM COMPRESSION SPRING
99		HHCS, 1/4-20 UNC x 1-1/4" LG.
100		LOCK NUT, 1/4-20 UNC
101		SAE FLAT WASHER, 3/8"
102		HHCS, 3/8-16 UNC x 1-3/4" LG.
103		FLAT WASHER, 5/8" GRADE 8
104	45048-07	CLUTCH, 1" BORE, STD. DUTY
105	MS0400	JACK HANDLE KNOB
106		HHCS, 1/4-20 UNC x 1-1/2" LG.
107	CG0100	GRIP, HANDLEBAR
108	45010-12	6" AUGUR SHAFT GAURD
109	45130-27	HONDA THROTTLE WIRE SWIVEL
110	45108-07	3/8" CAGE NUT
111	45132-44	BULK HEAD FITTING
120		LOCK NUT, 5/16-18 UNC

NOTE:
 WHEN ORDERING FASTENERS, PLEASE USE
 PAGE REFERENCE (LOWER RIGHT HAND
 CORNER) AND ITEM NUMBER.

