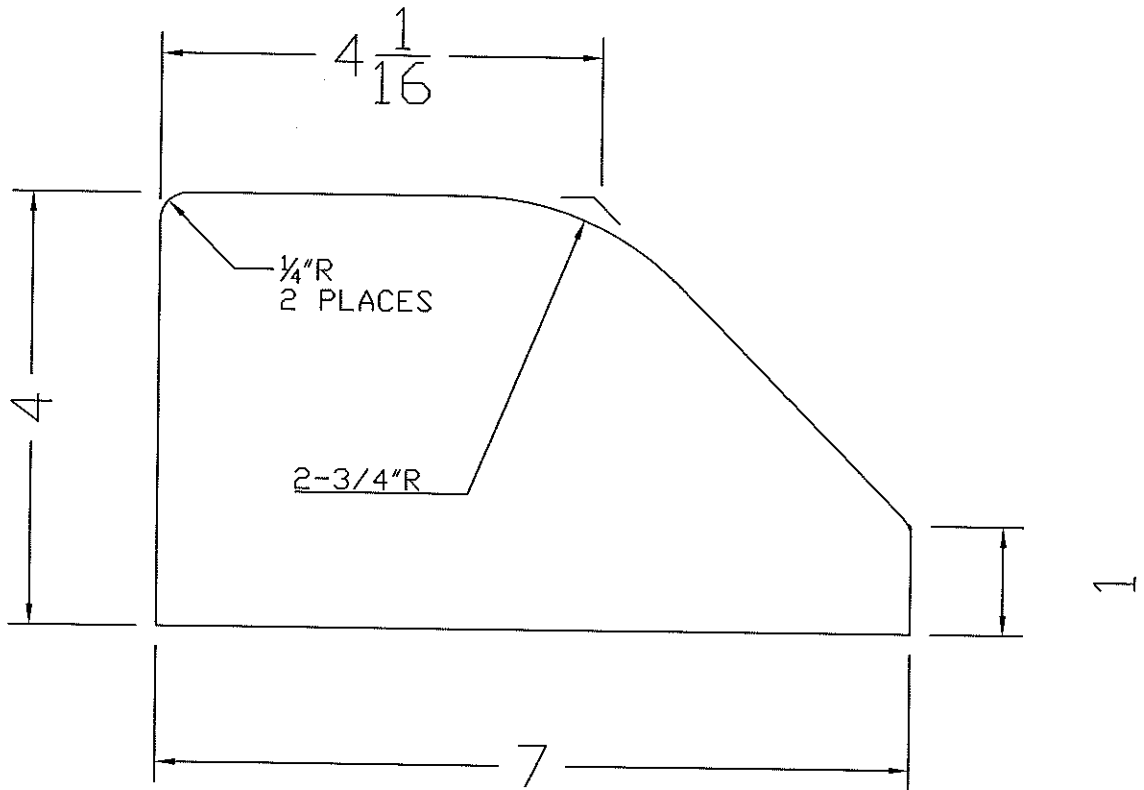


CUSTOMER NAME: ABLE

CFD # 1873

AUGER SIZE: 5" AUGER

CROSS SECTIONAL AREA: 23.4



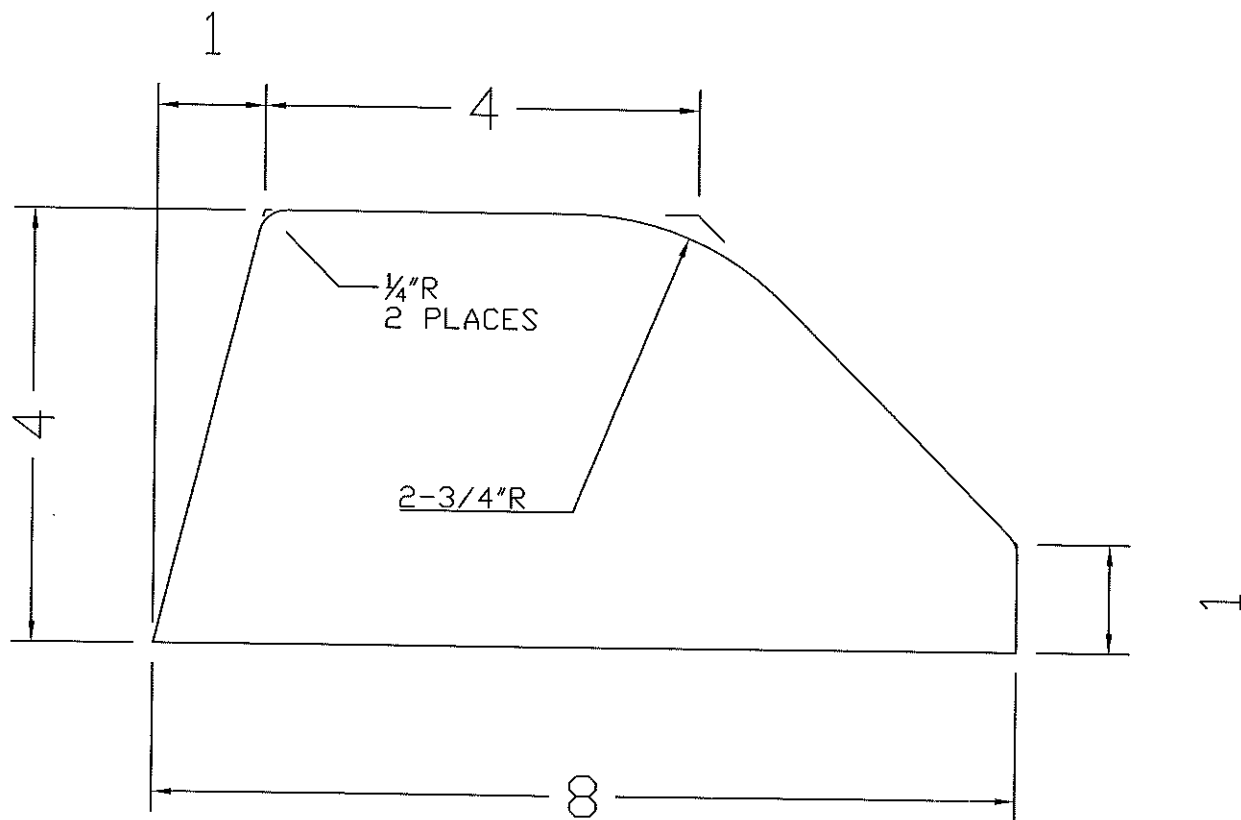
CUSTOMER NAME: ABLE

CFD # 1894

AUGER SIZE: 5" AUGER

CROSS SECTIONAL AREA: 25.4

MANUFACTURE WITH CAN ONLY!!!

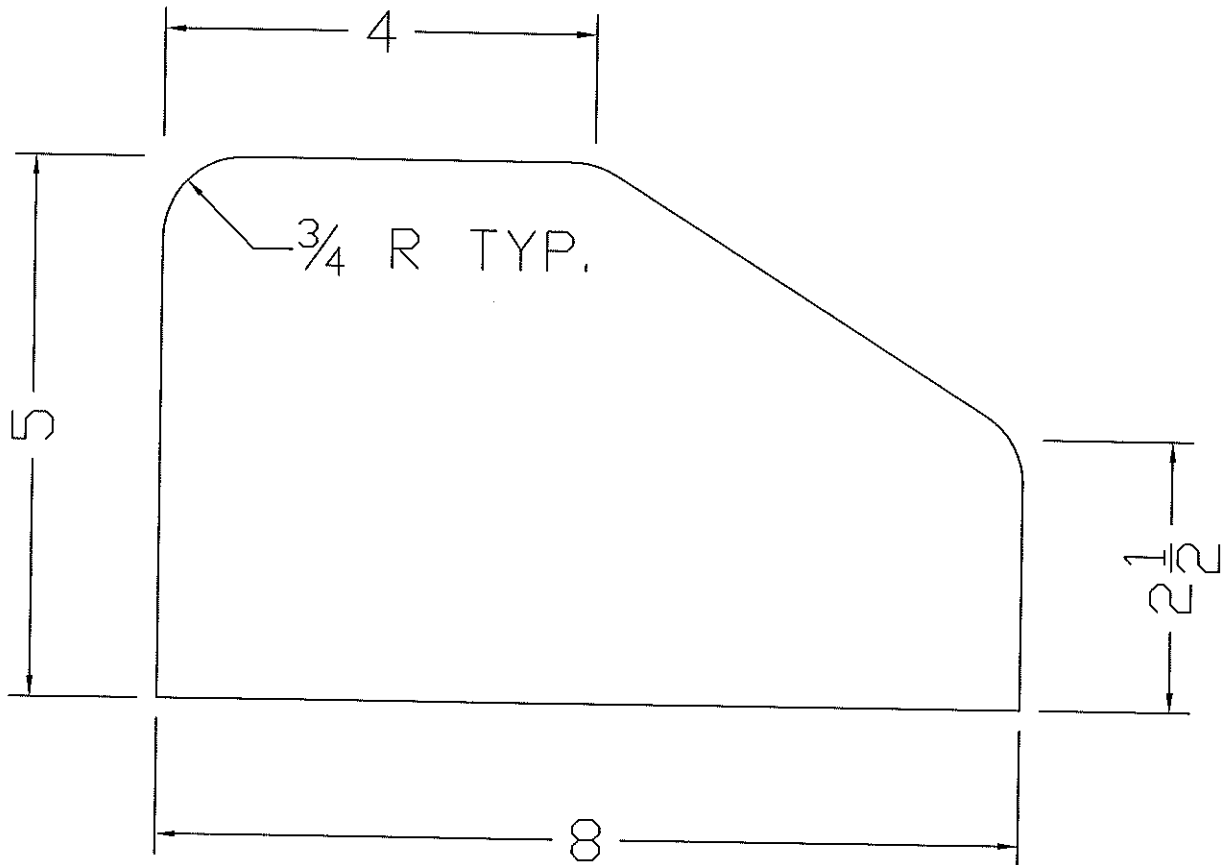


CUSTOMER NAME: ABLE

CFD # 1895

AUGER SIZE: 6" AUGER

CROSS SECTIONAL AREA: 34.9

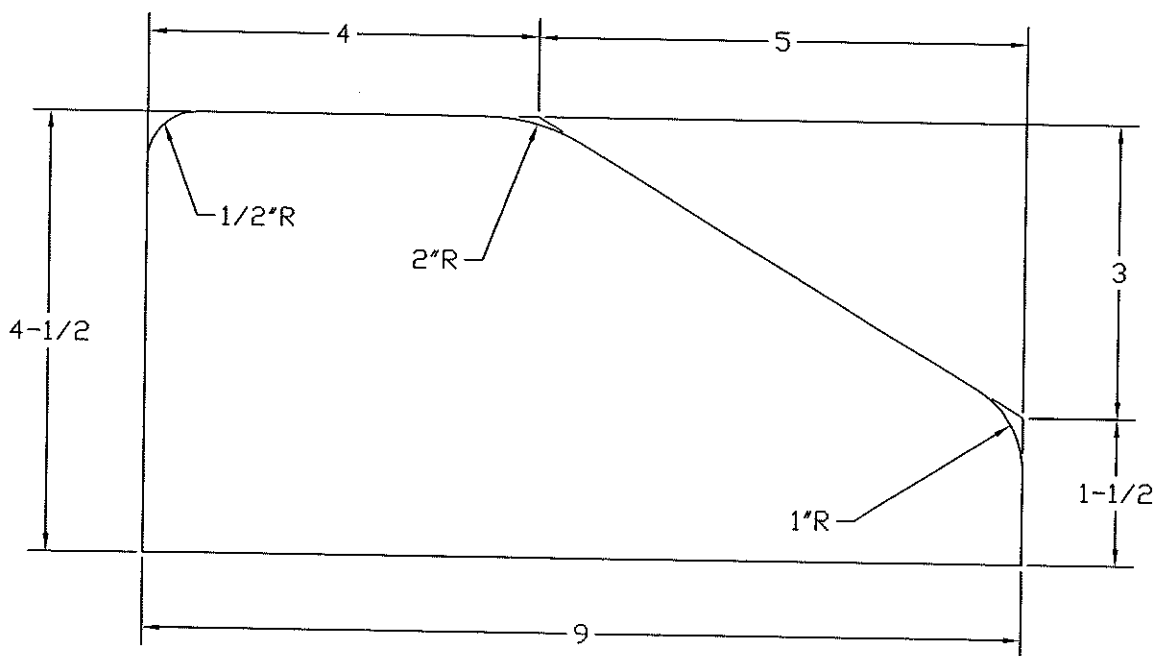


CUSTOMER NAME ABLE

CFD-NO: 1898

AUGER SIZE 6"

CROSS-SECTIONAL AREA: 32.9 SQ.IN.

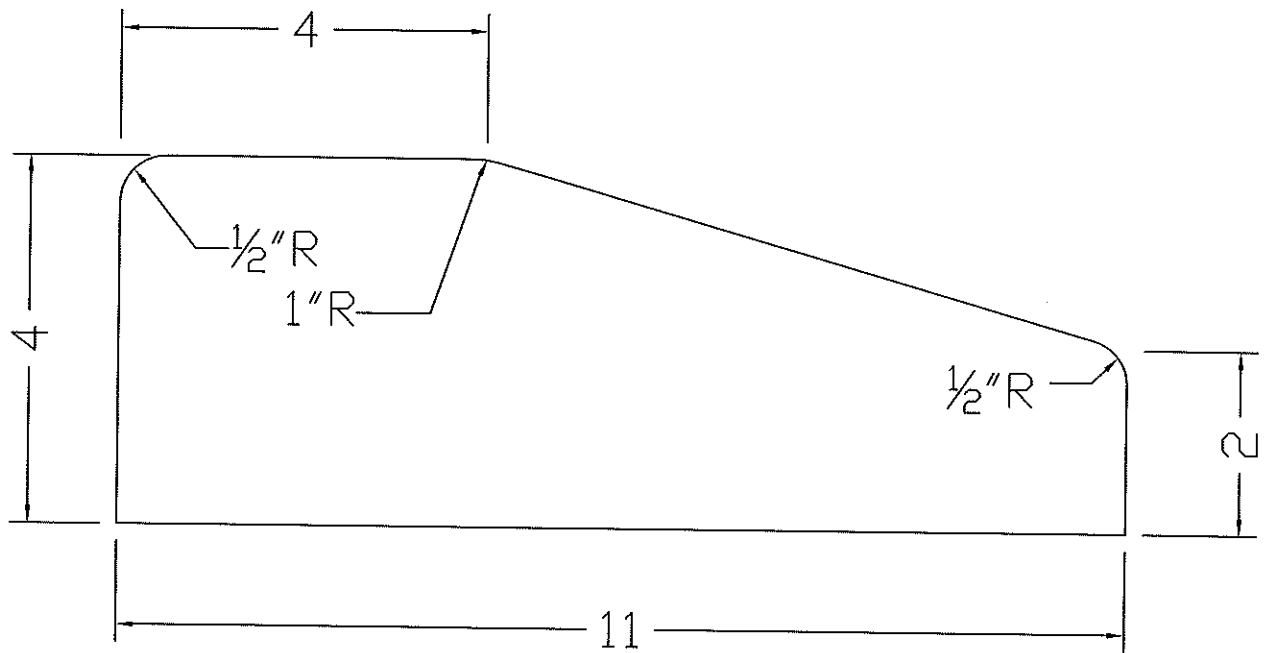


CUSTOMER NAME: ABLE TOOL

CFD # 1917

AUGER SIZE: 6" AUGER

CROSS SECTIONAL AREA: 36.9 SQ IN

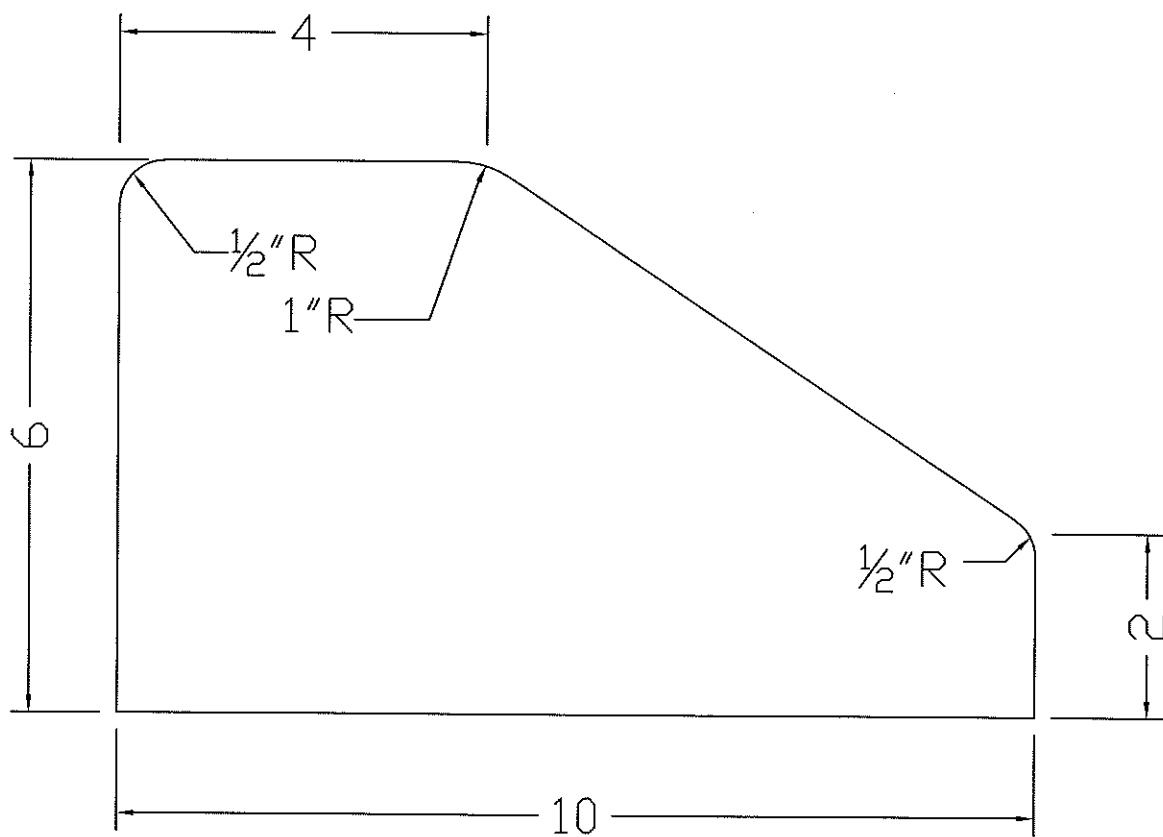


CUSTOMER NAME: ABLE TOOL

CFD # 1914

AUGER SIZE: 6" AUGER

CROSS SECTIONAL AREA: 47.9 SQ IN



CUSTOMER NAME: GALASSO

CFD # 1942

AUGER SIZE: 6" AUGER

CROSS SECTIONAL AREA: 31.4 SQ IN

