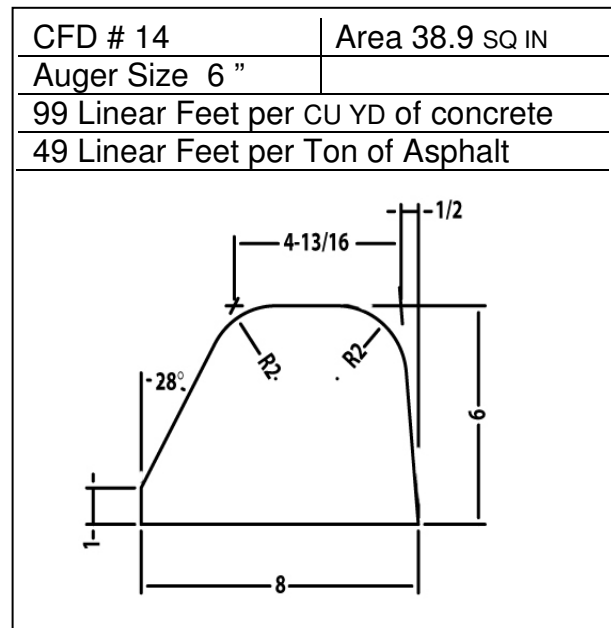
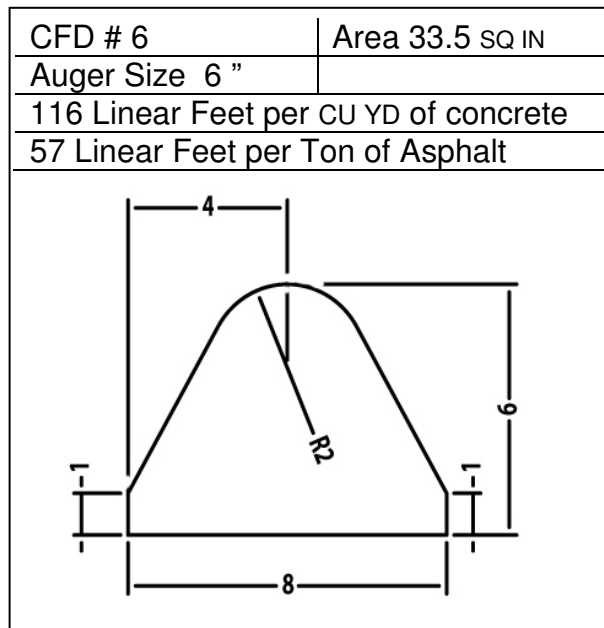
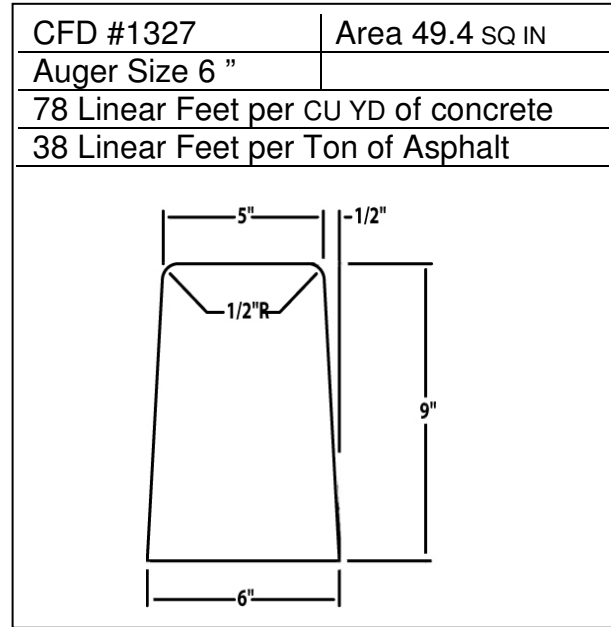
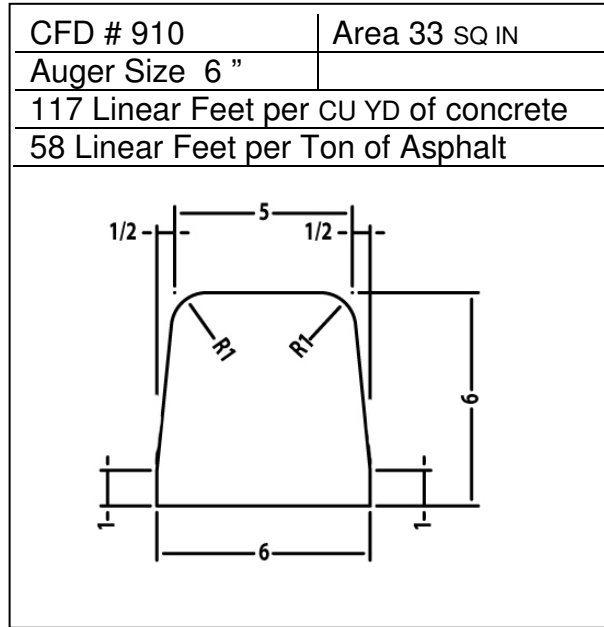
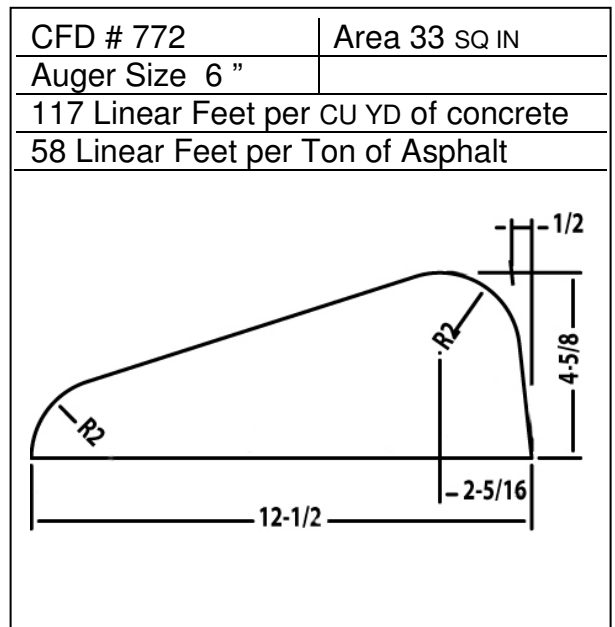
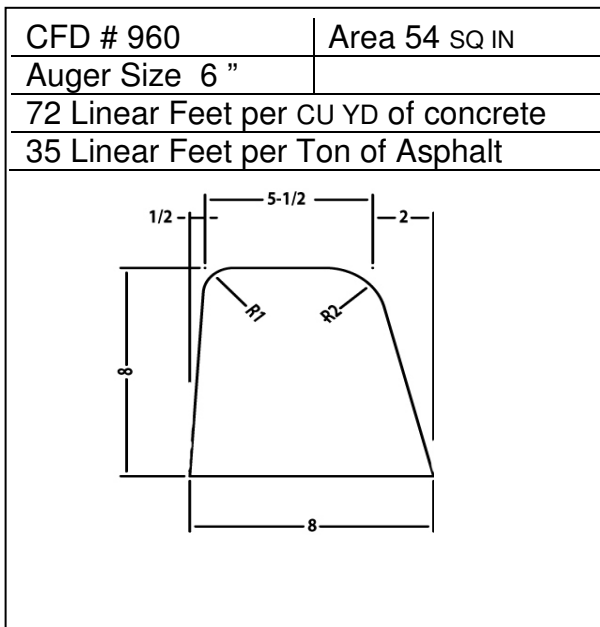
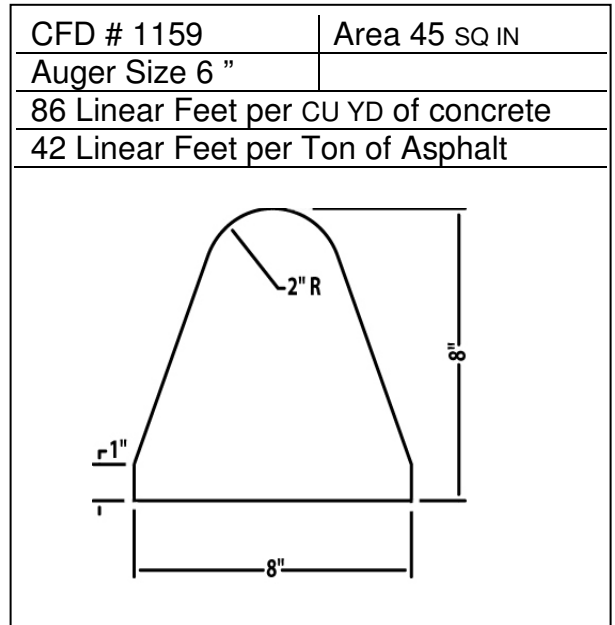
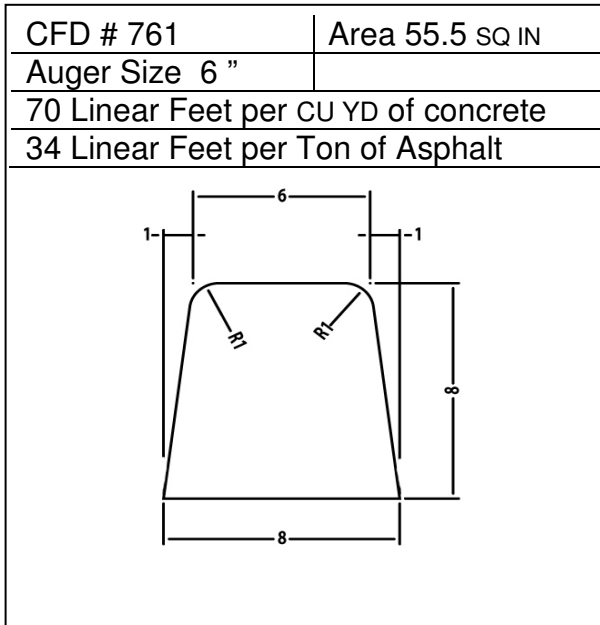
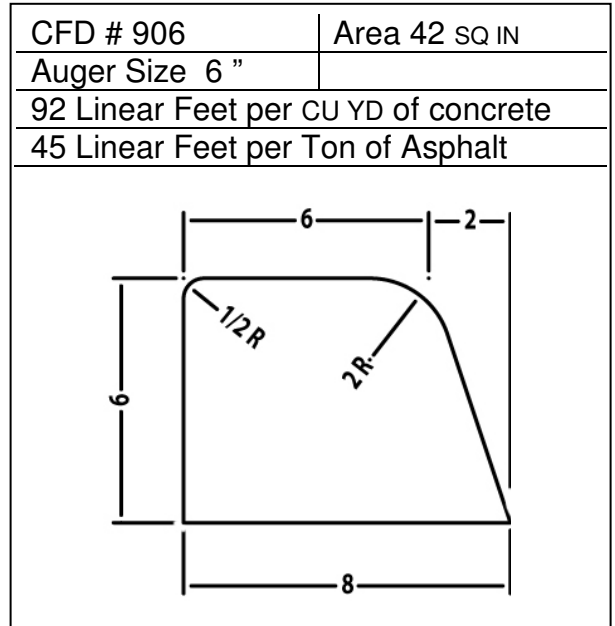
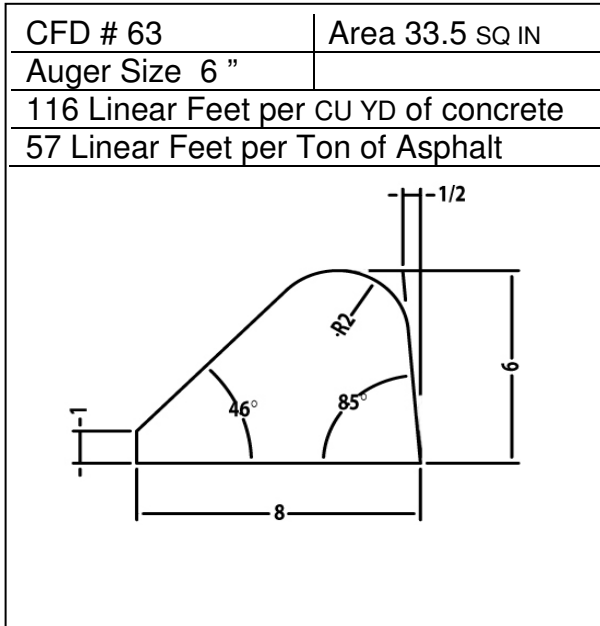


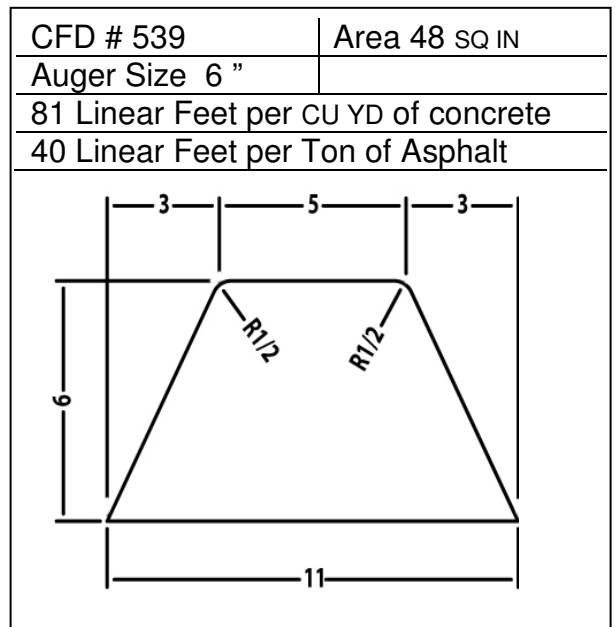
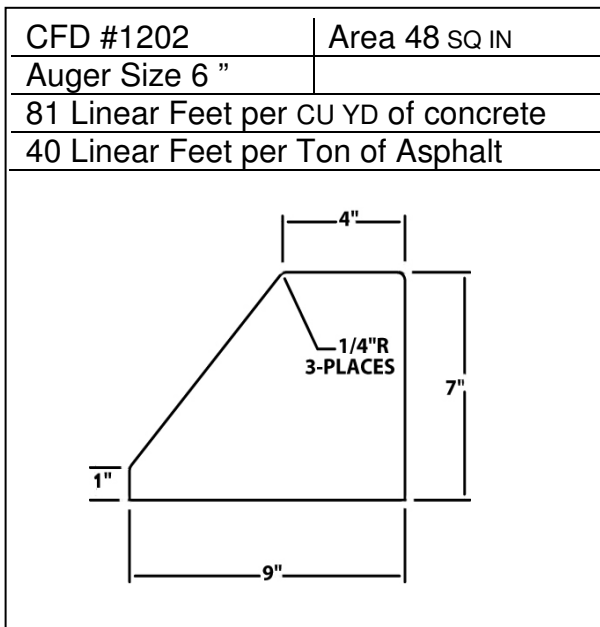
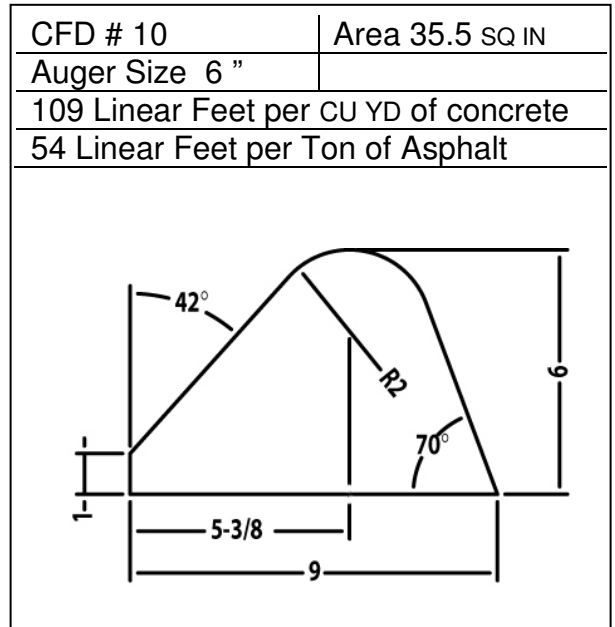
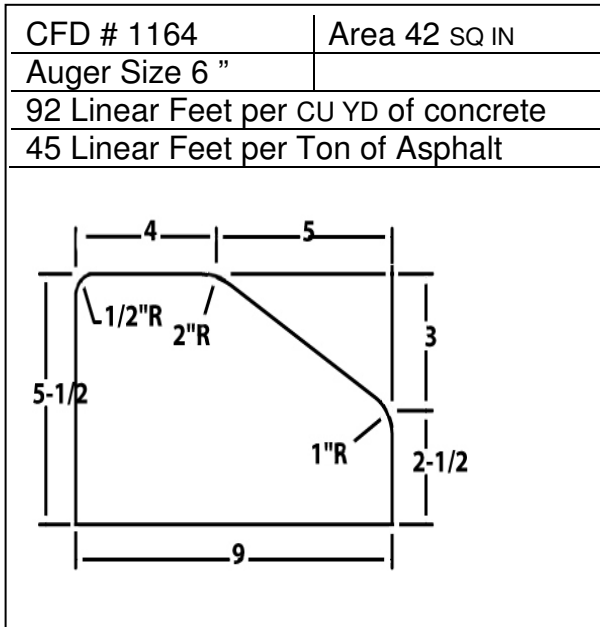
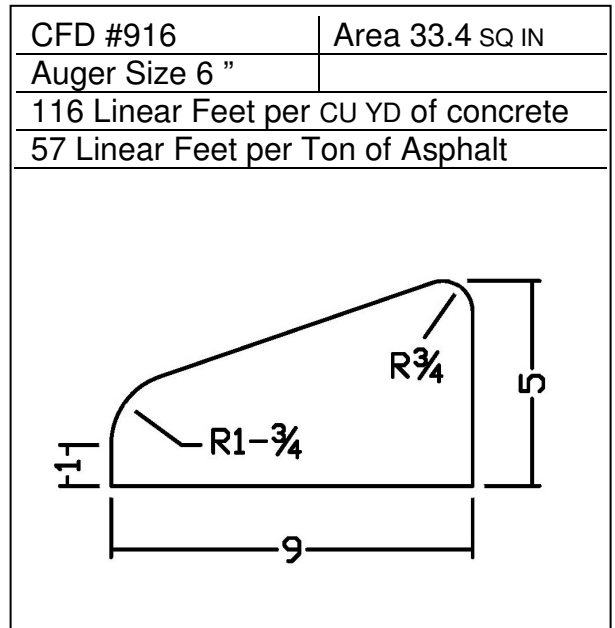
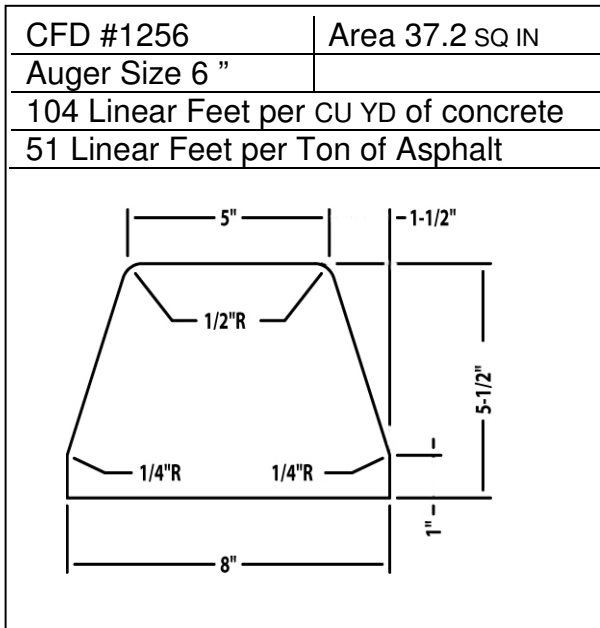
## Sample Curb Form Designs for Miller Curbers Equipped with 6" Auger Assembly

Following are examples of curb forms designed for Miller curbers equipped with a 6" auger assembly. We currently have over 1,700 curb form designs. If none of these meet your needs, fax a drawing with dimensions of the shape you'd like to 330-782-1047, or email jr@millercurber.com.



**MILLER**





|                                      |               |
|--------------------------------------|---------------|
| CFD #1104                            | Area 40 SQ IN |
| Auger Size 6 "                       |               |
| 97 Linear Feet per CU YD of concrete |               |
| 48 Linear Feet per Ton of Asphalt    |               |
|                                      |               |

|                                      |               |
|--------------------------------------|---------------|
| CFD # 1301                           | Area 40 SQ IN |
| Auger Size 6 "                       |               |
| 97 Linear Feet per CU YD of concrete |               |
| 48 Linear Feet per Ton of Asphalt    |               |
|                                      |               |

|                                      |               |
|--------------------------------------|---------------|
| CFD # 1144                           | Area 50 SQ IN |
| Auger Size 6 "                       |               |
| 77 Linear Feet per CU YD of concrete |               |
| 38 Linear Feet per Ton of Asphalt    |               |
|                                      |               |